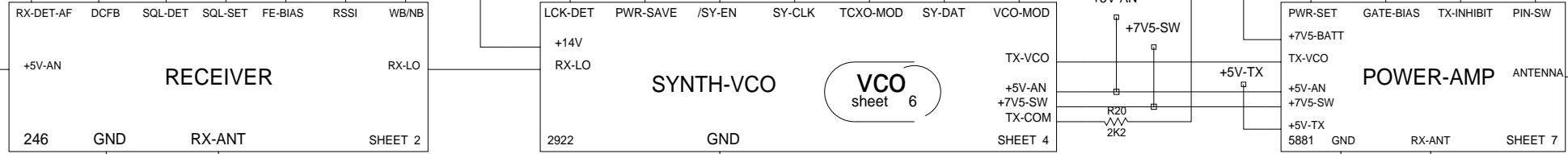
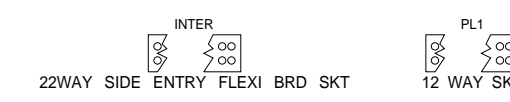


PROCESSOR
252 SHEET 3
DSP AUDIO

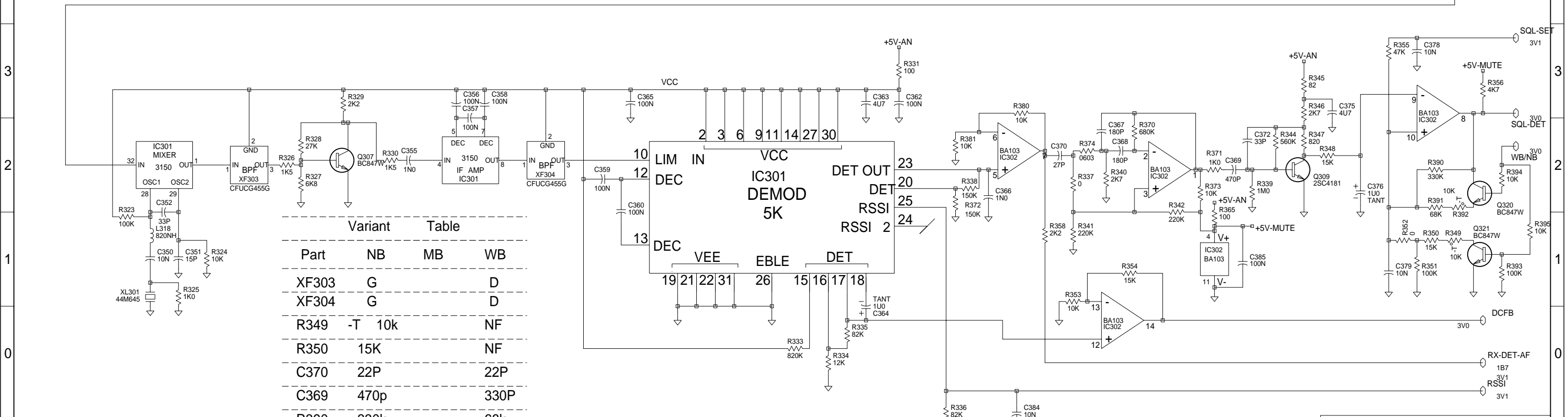
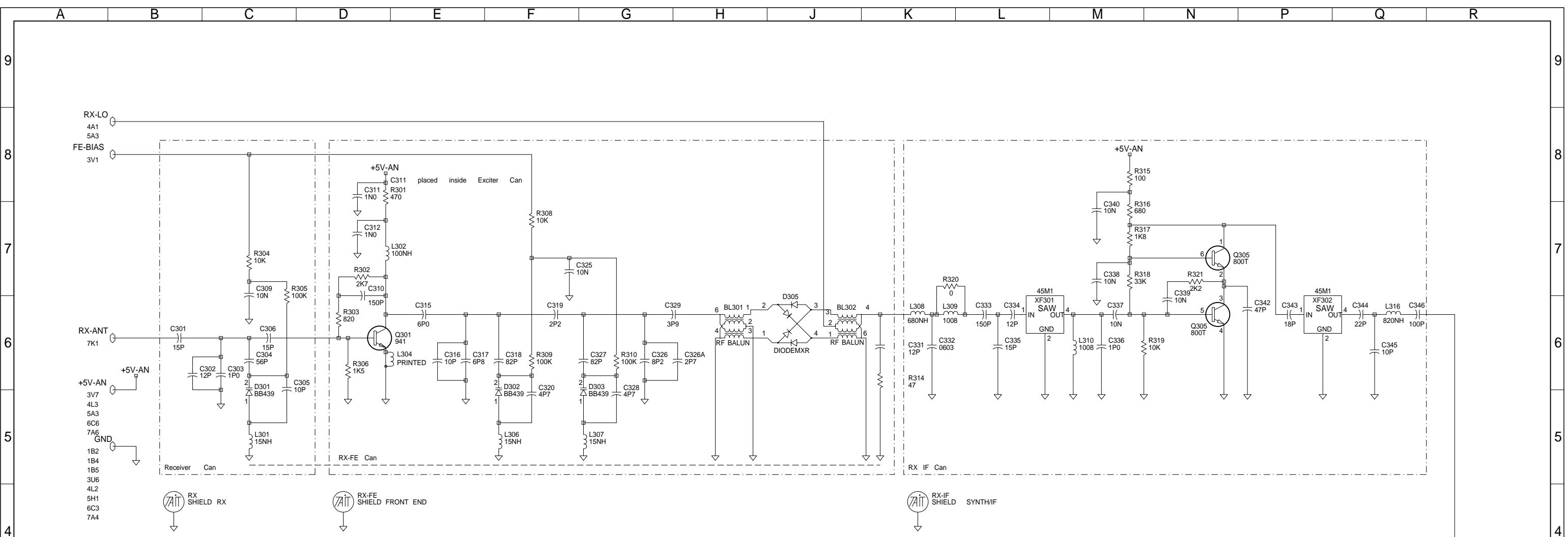


06A	COMPONENT OBS. CCO NO. 1503-012	BRD			06-04-00
05B	DIG SHIELD. CCO# 1503-011	CM			03/02/00
05A	CCO NO. 1503-004/005/006/007	BRD			04/11/99
04B	CHANGES AS PER 1503/001	BRD			20/08/99
03B	ADJUSTED T-CU AS PER PENTEX	BRD			03-06-99
03A	UPDATE ALC AND AFC	BRD			17-05-99
02A	SEE NOTES FILE FOR CHANGES	BRD			10/02/99
08	UPDATED MUTE CIRCUITRY	DBH			
REV/ISS	AMENDMENTS	DRAWN	CHKD	D.O.	APVD DATE



Sub UHF

© TAIT ELECTRONICS	
ORCA :TP010-	336-400MHZ
SYSTEM DIAGRAM	
IPN: 220-01503-08	ISSUE: A
DESIGNER: ORCA	FILE NAME: 150308a
FILE DATE: 12-Dec-00	NO. SHEETS: 7

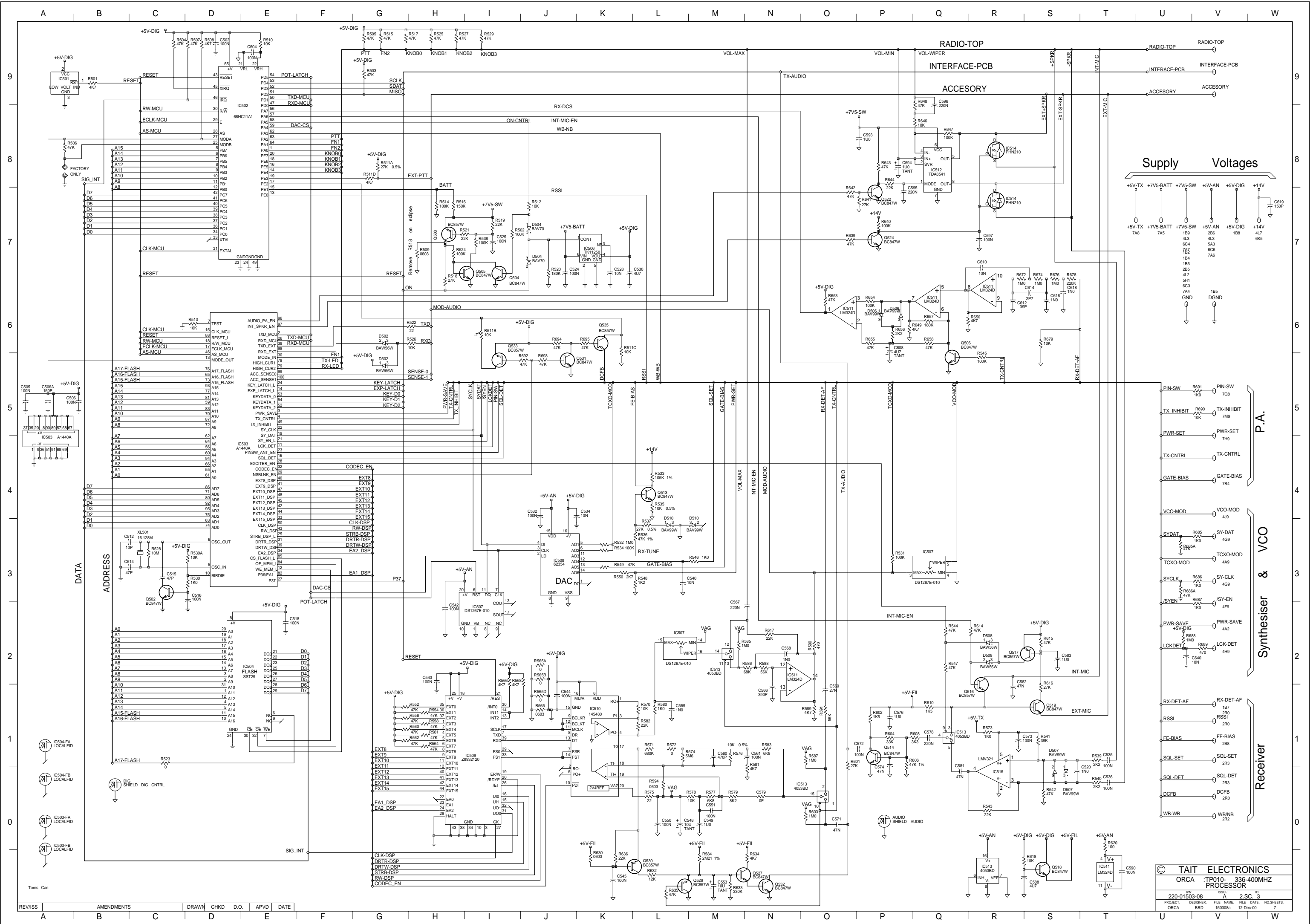


Variant Table

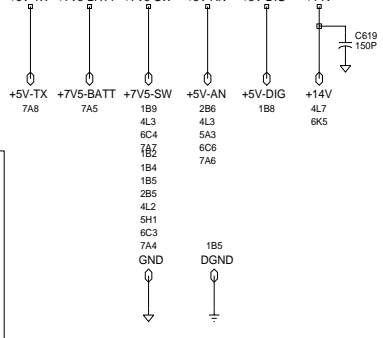
Part	NB	MB	WB
XF303	G		D
XF304	G		D
R349	-T	10k	NF
R350		15K	NF
C370		22P	22P
C369		470p	330P
R390		330k	68k
R355		47k	22k

© TAIT ELECTRONICS
 ORCA :TP010- 336-400MHZ RECEIVER
 IPN: 220-01503-08 ISSUE: A ID: 2.S.C. 2
 PROJECT: ORCA DESIGNER: BRD FILE NAME: 150308a FILE DATE: 12-Dec-00 NO.SHEETS: 7

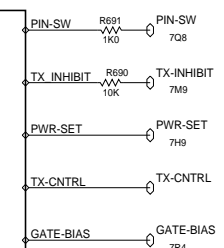
REV/ISS	AMENDMENTS	DRAWN	CHKD	D.O.	APVD	DATE



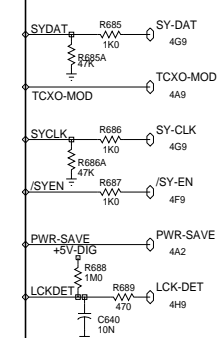
Supply Voltages



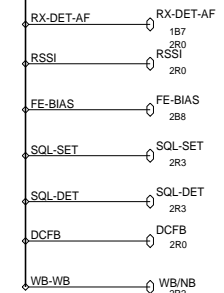
P.A.



Synthesiser & VCO



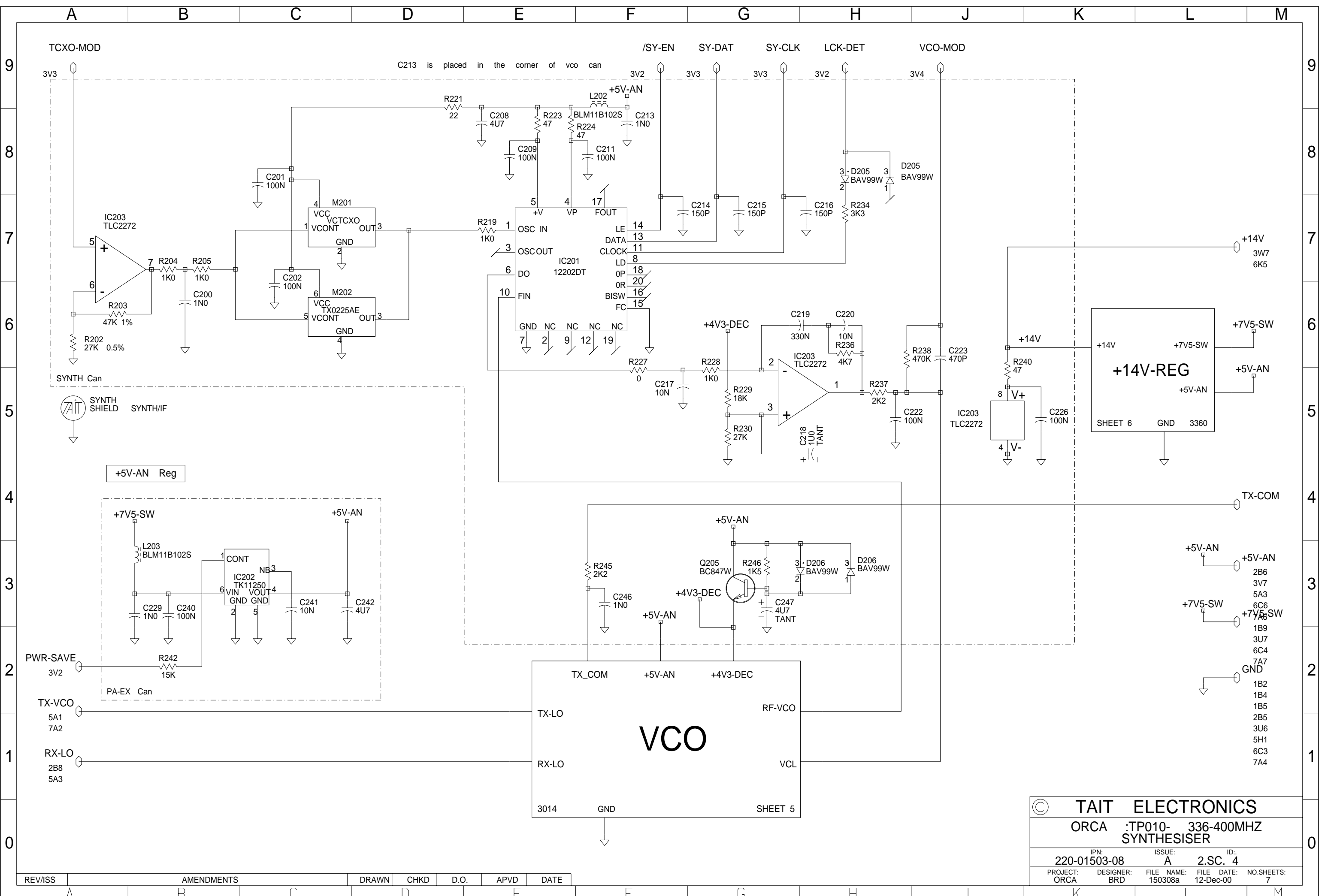
Receiver



© TAIT ELECTRONICS
 ORCA :TP010- 336-400MHZ
 PROCESSOR
 220-01503-08 2.SC.3
 PROJECT DESIGNER FILE NAME FILE DATE NO SHEETS
 ORCA BRD 150308a 12-Dec-00 7

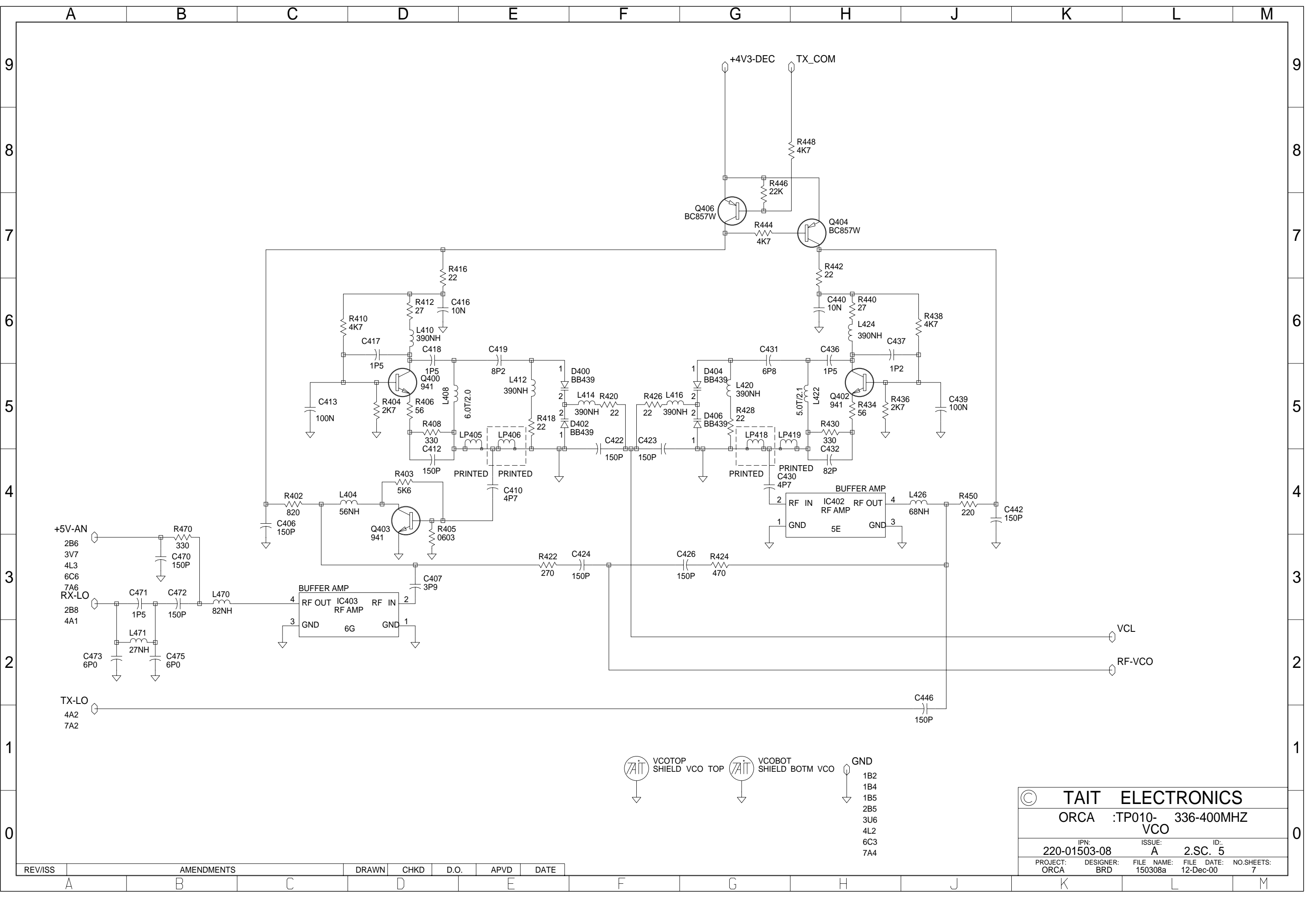
REV/ISS	AMENDMENTS	DRAWN	CHKD	D.O.	APVD	DATE
A						

Toms Can



© TAIT ELECTRONICS
 ORCA :TP010- 336-400MHZ SYNTHESISER
 IPN: 220-01503-08 ISSUE: A ID: 2.SC. 4
 PROJECT: ORCA DESIGNER: BRD FILE NAME: 150308a FILE DATE: 12-Dec-00 NO.SHEETS: 7

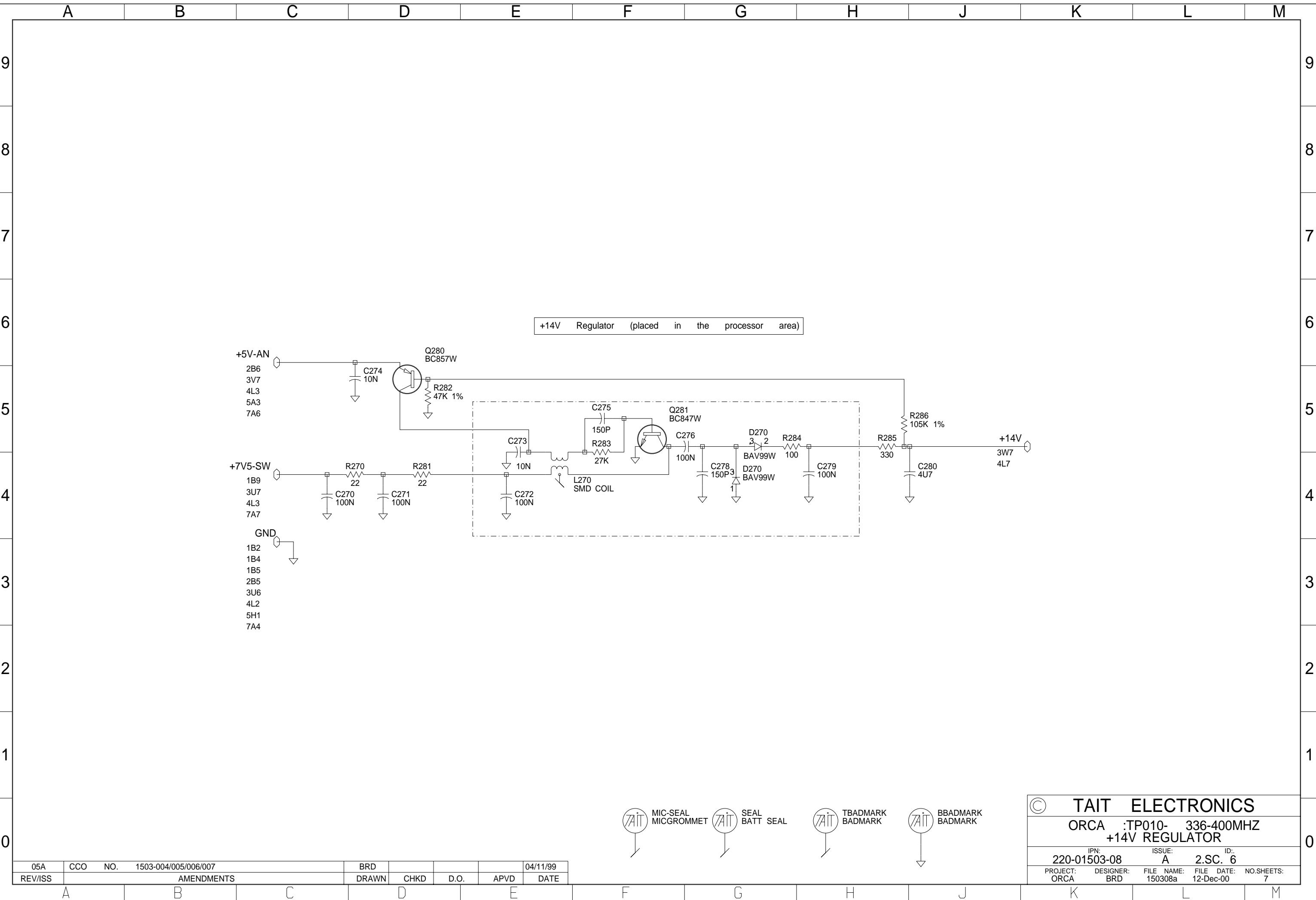
REV/ISS	AMENDMENTS	DRAWN	CHKD	D.O.	APVD	DATE



© TAIT ELECTRONICS
 ORCA :TP010- 336-400MHZ
 VCO
 IPN: 220-01503-08 ISSUE: A ID: 2.SC. 5
 PROJECT: ORCA DESIGNER: BRD FILE NAME: 150308a FILE DATE: 12-Dec-00 NO.SHEETS: 7

REV/ISS	AMENDMENTS	DRAWN	CHKD	D.O.	APVD	DATE

- VCOTOP SHIELD VCO TOP
- VCOBOT SHIELD BOTM VCO
- GND
 - 1B2
 - 1B4
 - 1B5
 - 2B5
 - 3U6
 - 4L2
 - 6C3
 - 7A4

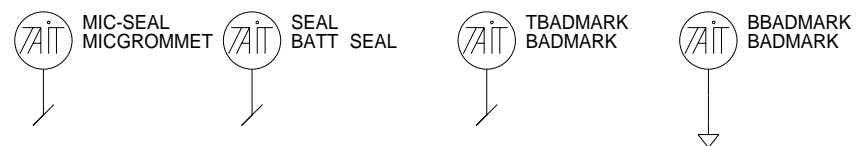


+14V Regulator (placed in the processor area)

+5V-AN
2B6
3V7
4L3
5A3
7A6

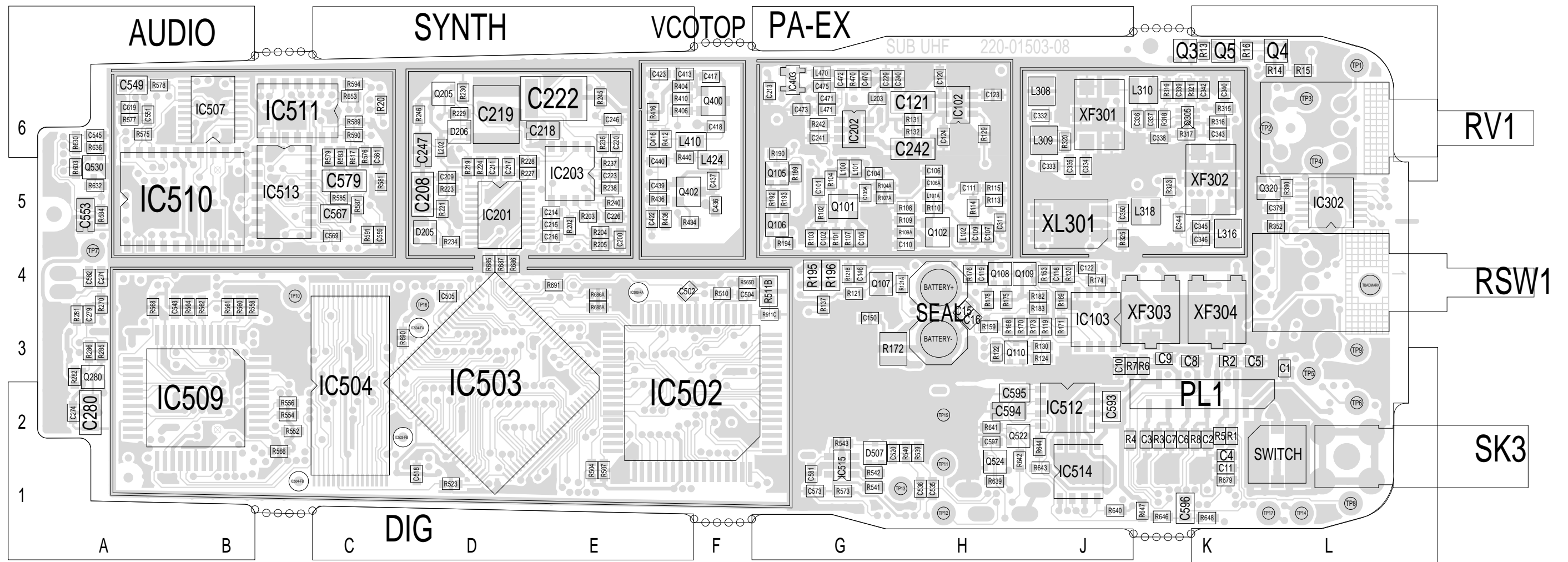
+7V5-SW
1B9
3U7
4L3
7A7

GND
1B2
1B4
1B5
2B5
3U6
4L2
5H1
7A4



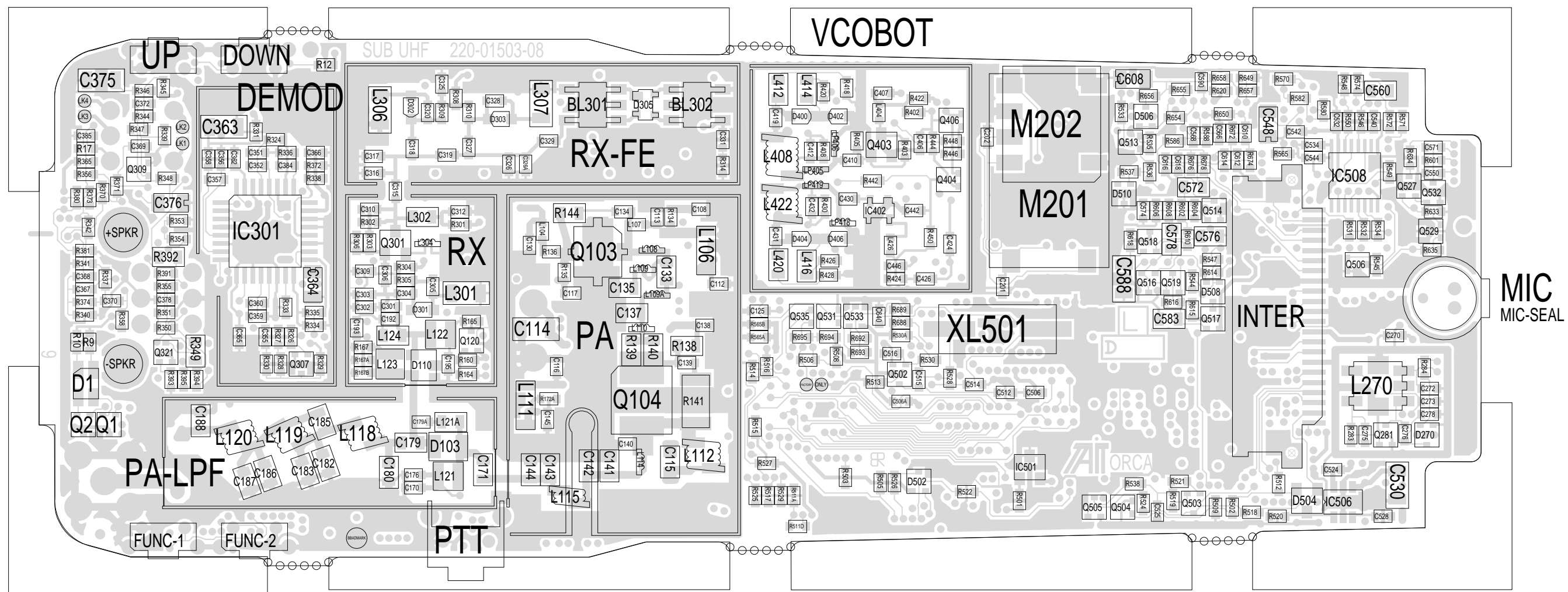
© TAIT ELECTRONICS	
ORCA :TP010- 336-400MHZ +14V REGULATOR	
IPN: 220-01503-08	ISSUE: A
PROJECT: ORCA	DESIGNER: BRD
FILE NAME: 150308a	FILE DATE: 12-Dec-00
ID: 2.SC. 6	NO.SHEETS: 7

05A	CCO	NO. 1503-004/005/006/007	BRD				04/11/99
REV/ISS	AMENDMENTS		DRAWN	CHKD	D.O.	APVD	DATE



TAIT ELECTRONICS IPN: 220-01503-08 ISS: A ID: 1.TA DATE: 13 Dec 2000
 SUB UHF PCB LAYOUT - TOP SIDE

Scale: 2.3:1 ; Rotation: 0 degrees



TAIT ELECTRONICS IPN: 220-01503-08 ISS: A ID: 6.BA DATE: 13 Dec 2000
 SUB UHF PCB LAYOUT - BOTTOM SIDE

Scale: 2.3:1 ; Rotation: 0 degrees